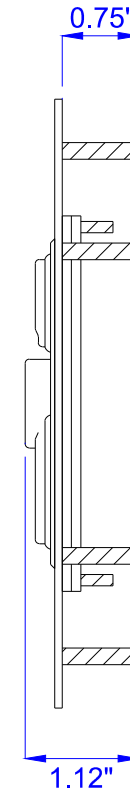
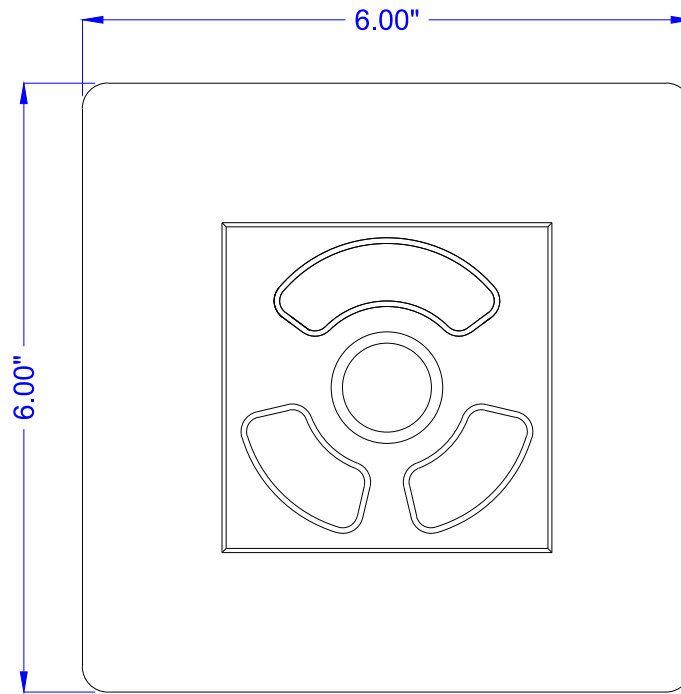


FTM-PM-FSR



KEY SWITCH

MATERIAL: Industrial Silicone Rubber
LIFE: Greater Than 10 Million Cycles
TRAVEL: 0.055 in.
ACTUATION FORCE: 7.05 oz. +/- 1.06oz (200g +/- 30g)
FEEDBACK: Tactile with Mechanical Snap

POWER

PS2 or AT/Serial:
 POINTER: 35mA@5V (from Mouse port)
USB: 35mA@5V (from CPU port)

TEMPERATURE RANGE

STORAGE: -40°F to +158°F (-40°C to +70°C)
OPERATING: -4°F to +140°F (-20°C to +60°C)

HUMIDITY

100% Humidity Resistant

VIBRATION

POWER SPECTRAL DENSITY: .04g/HZ
FREQUENCY RANGE: 20Hz-2Khz
DURATION OF TEST PER AXIS: 3 hours

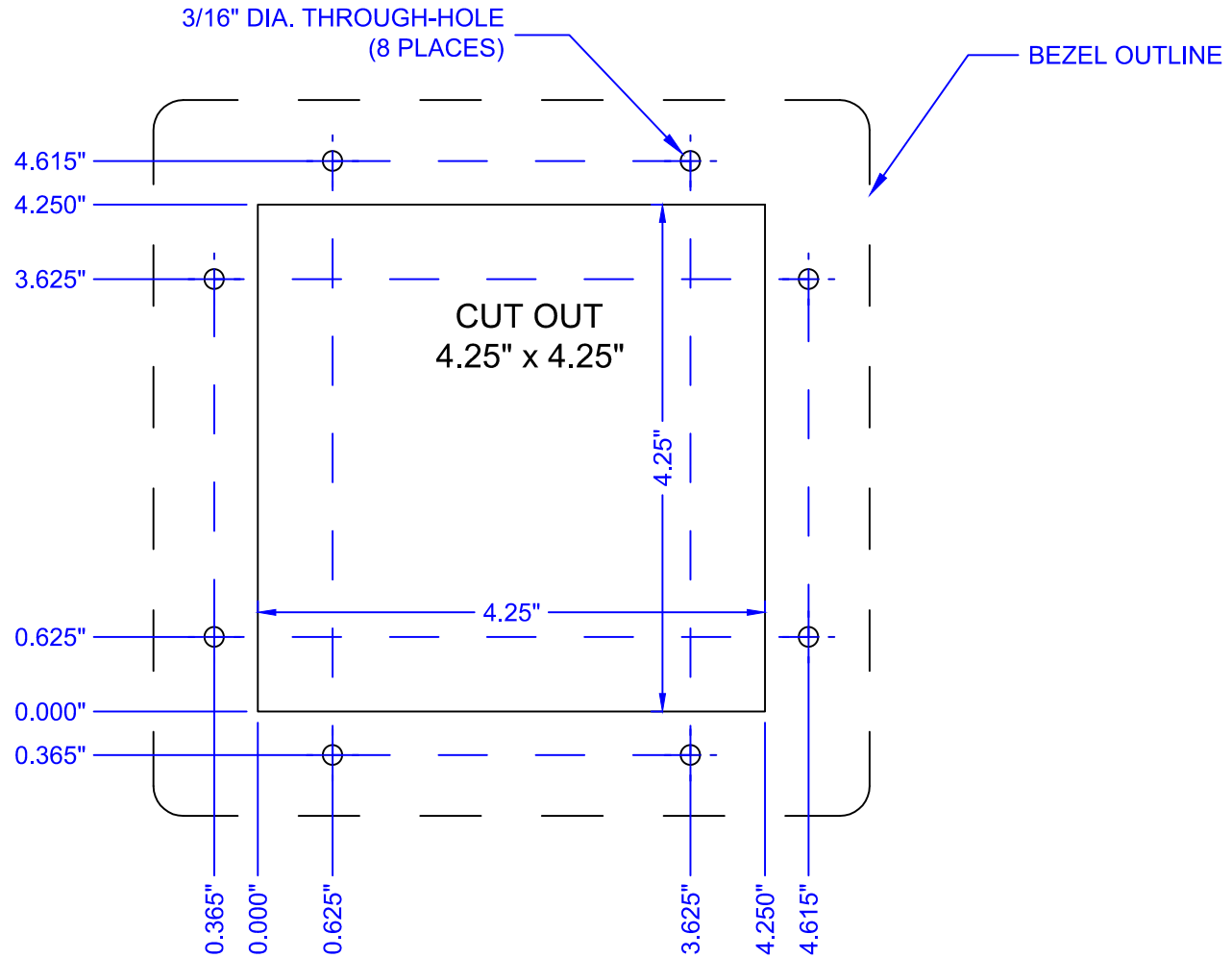
SHOCK

3 X 11 ms pulses of 50g on each of 3 axis

WEIGHT

1.25 lbs +/- 0.10 lbs (0.57 kg +/- 0.05 kg)

FTM-PM-FSR



NOTE:

-PCB COMPONENTS REQUIRE 0.25"
CLEARANCE FROM BACK

PM BEZEL: Stainless Steel with #8-32 x 0.75" Studs (8 Places)